

- 2 Willis earns \$11 a week mowing lawns. He wants to earn enough money to buy a video game system that costs \$150. On the lines below, explain how you would estimate the number of weeks it would take Willis to earn the money to buy the video game system.

Now find the actual number of weeks it will take Willis to earn enough money to buy the video game system.

Show All Work

Answer _____ weeks



- 6 Justin's math test scores are listed in the chart below.

Justin's
Math Test Scores

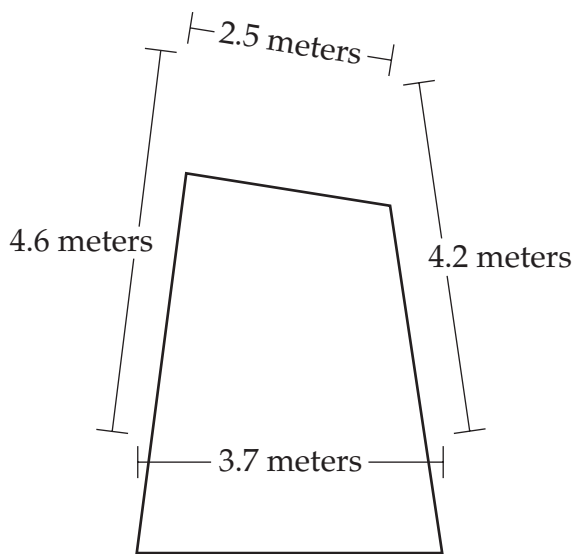
Test	Score
1	86
2	93
3	98
4	99
5	89

What is the MEAN of Justin's test scores?

Show All Work

Answer _____

7 Look at the diagram of Marcella's garden below.



Marcella wants to put a fence around her garden. What is the perimeter, in meters, of her garden?

Answer _____ meters

Marcella has 13.5 meters of fencing. Is that enough fencing to put a fence around her garden? On the lines below, explain how you know.

